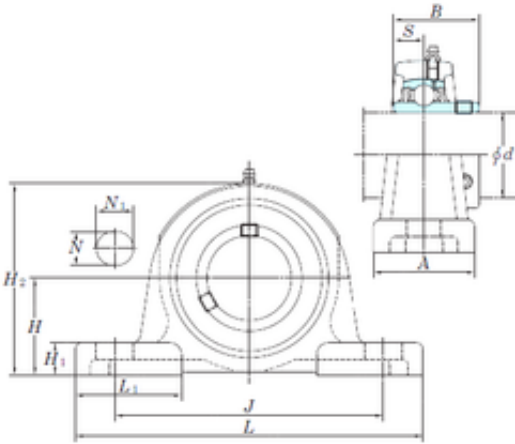




# AMERICAN Timken BEARING MFG.CORP.

## KOYO UCP206 bearing units

Bearing No. UCP206



UCP206 Bearing 2D drawings and 3D CAD models

Bore Diameter	30 mm
Width	38,1 mm
d	30 mm
A	48 mm
B	38,1 mm
H	42,9 mm
H1	15 mm
H2	84 mm
J	121 mm
L	165 mm
L1	53 mm
N	17 mm
N1	21 mm
S	15,9 mm
Bolt (G)	M14
Weight	1,3 Kg
Basic dynamic load rating (C)	19,5 kN
Basic static load rating (C0)	11,3 kN
Bearing No.	UCP206
Bolt size	M14
Cr	19.5
C0r	11.3
f0	13.9
(Refer.)Unit mass(kg)	1.3
Nipple size	1/4-28UNF