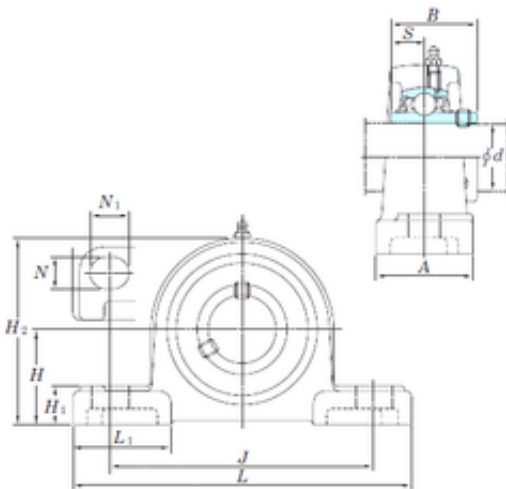




AMERICAN Timken BEARING MFG.CORP.

KOYO UCP324SC bearing units

Bearing No. UCP324SC



UCP324SC Bearing 2D drawings and 3D CAD models

Bore Diameter	120 mm
Width	126 mm
d	120 mm
A	140 mm
B	126 mm
H	160 mm
H1	57 mm
H2	316 mm
J	450 mm
L	570 mm
L1	160 mm
N	40 mm
N1	55 mm
S	51 mm
Bolt (G)	M33
Weight	69 Kg
Basic dynamic load rating (C)	207 kN
Basic static load rating (C0)	185 kN