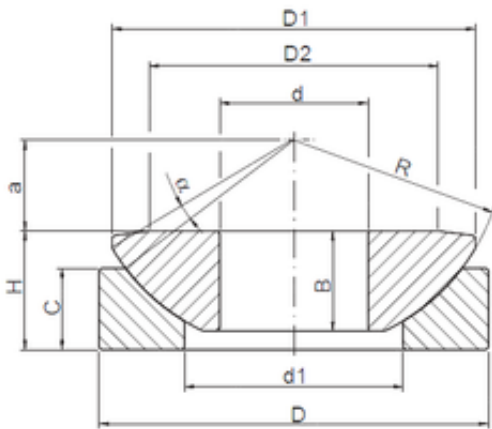




AMERICAN Timken BEARING MFG.CORP.

340 mm x 540 mm x 105 mm ISO GW 340 plain bearings

Bearing No. GW 340



GW 340 Bearing 2D drawings and 3D CAD models

Size	340x540x116 mm
Bore Diameter	340 mm
Outer Diameter	540 mm
Width	116 mm
d	340 mm
D	540 mm
H	116 mm
a	95 mm
d1	380 mm
B	105 mm
C	91 mm
D1	510 mm
D2	432 mm
R	550 mm
Angle	4 °