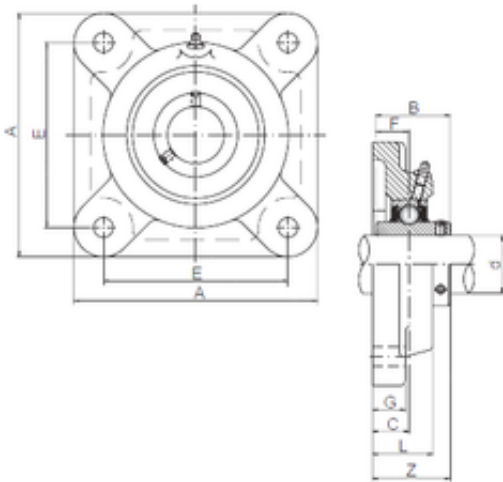




AMERICAN Timken BEARING MFG.CORP.



ISO UCF201 bearing units

Bearing No. UCF201

Bore Diameter	12 mm
Width	31 mm
d	12 mm
Z	33,3 mm
A	86 mm
B	31 mm
C	15 mm
E	64 mm
F	12,7 mm
G	12 mm
L	25,5 mm
S	12 mm
Bolt (G)	M10

UCF201 Bearing 2D drawings and 3D CAD models