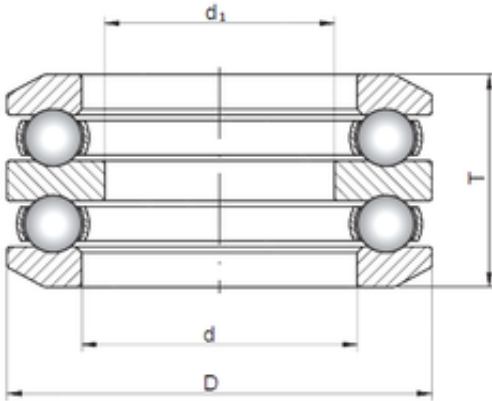




AMERICAN Timken BEARING MFG. CORP.

ISO 54420 thrust ball bearings



Bearing No. 54420

Size	103x210x160 mm
Bore Diameter	103 mm
Outer Diameter	210 mm
Width	160 mm
d	103 mm
d1	80 mm
D	210 mm
T	160 mm

54420 Bearing 2D drawings and 3D CAD models