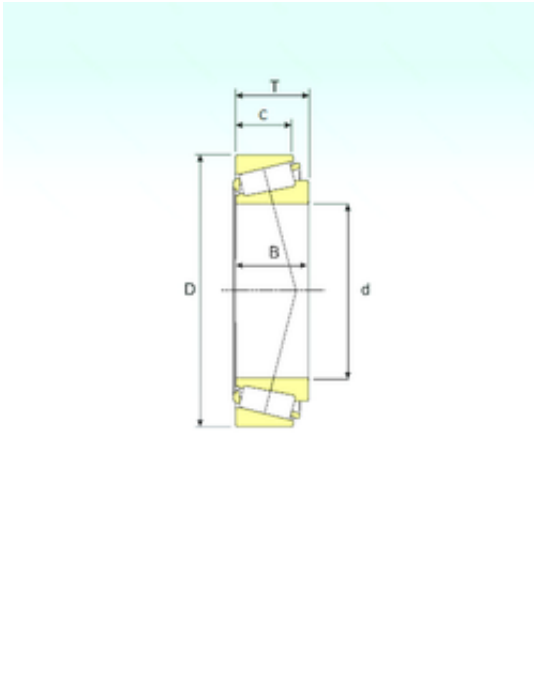




AMERICAN Timken BEARING MFG.CORP.



32038 Bearing 2D drawings and 3D CAD models

190 mm x 290 mm x 64 mm ISB 32038 tapered roller bearings

Bearing No. 32038

Size	190x290x64 mm
Bore Diameter	190 mm
Outer Diameter	290 mm
Width	64 mm
d	190 mm
D	290 mm
T	64 mm
B	64 mm
C	48 mm
Weight	15 Kg
Basic dynamic load rating (C)	646 kN
Basic static load rating (C0)	1176 kN
(Grease) Lubrication Speed	1530 r/min