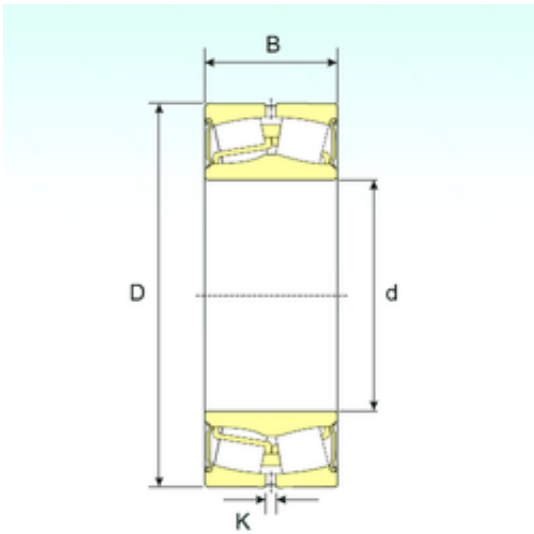




# AMERICAN Timken BEARING MFG.CORP.



23228-2RS Bearing 2D drawings and 3D CAD models

140 mm x 250 mm x 88 mm ISB 23228-2RS  
spherical roller bearings

Bearing No. 23228-2RS

Size	140x250x88 mm
Bore Diameter	140 mm
Outer Diameter	250 mm
Width	88 mm
d	140 mm
D	250 mm
B	88 mm
C	88 mm
K	6 mm
Weight	19,5 Kg
Basic dynamic load rating (C)	896,7 kN
Basic static load rating (C0)	1225 kN