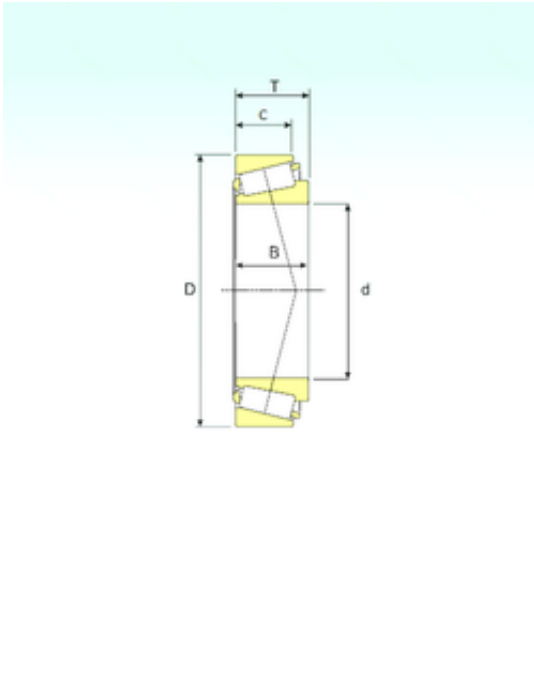




AMERICAN Timken BEARING MFG.CORP.



45,237 mm x 87,313 mm x 30,886 mm ISB
3586/3525 tapered roller bearings

Bearing No. 3586/3525

| | |
|-------------------------------|-------------------------|
| Size | 45.237x87.313x30.162 mm |
| Bore Diameter | 45,237 mm |
| Outer Diameter | 87,313 mm |
| Width | 30,162 mm |
| d | 45,237 mm |
| D | 87,313 mm |
| T | 30,162 mm |
| B | 30,886 mm |
| C | 23,812 mm |
| Weight | 0,85 Kg |
| Basic dynamic load rating (C) | 99 kN |
| Basic static load rating (C0) | 129 kN |
| (Grease) Lubrication Speed | 6120 r/min |

3586/3525 Bearing 2D drawings and 3D CAD models