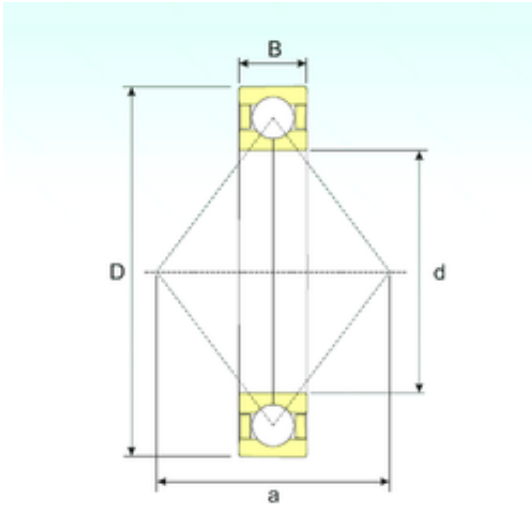




AMERICAN Timken BEARING MFG.CORP.



150 mm x 270 mm x 45 mm ISB QJ 230 N2 M
angular contact ball bearings

Bearing No. QJ 230 N2 M

| | |
|-------------------------------|---------------|
| Size | 150x270x45 mm |
| Bore Diameter | 150 mm |
| Outer Diameter | 270 mm |
| Width | 45 mm |
| d | 150 mm |
| D | 270 mm |
| B | 45 mm |
| C | 45 mm |
| a | 147 mm |
| Weight | 12,5 Kg |
| Basic dynamic load rating (C) | 392 kN |
| Basic static load rating (C0) | 558 kN |
| (Grease) Lubrication Speed | 3060 r/min |

QJ 230 N2 M Bearing 2D drawings and 3D CAD models