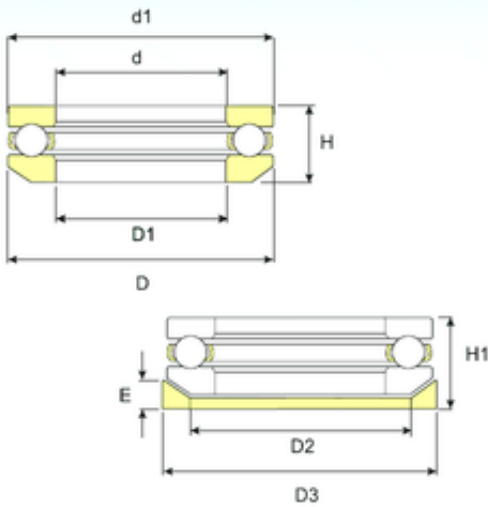




AMERICAN Timken BEARING MFG.CORP.



ISB 53313 U 313 thrust ball bearings

Bearing No. 53313 U 313

Size	65x115x39.4 mm
Bore Diameter	65 mm
Outer Diameter	115 mm
Width	39,4 mm
d	65 mm
D	115 mm
H	39,4 mm
d1	115 mm
D1	67 mm
D2	90 mm
D3	120 mm
E	12,5 mm
H1	43 mm
Weight	1,89 Kg
Basic dynamic load rating (C)	104 kN
Basic static load rating (C0)	235 kN
(Grease) Lubrication Speed	2295 r/min

53313 U 313 Bearing 2D drawings and 3D CAD models