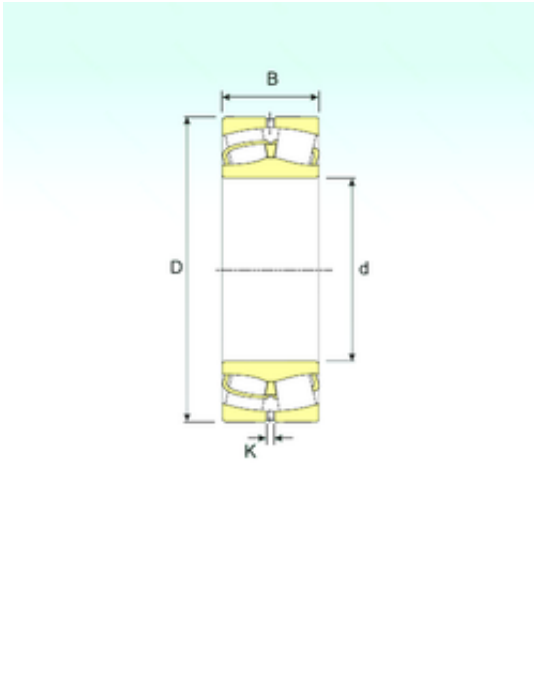




# AMERICAN Timken BEARING MFG.CORP.



22324 Bearing 2D drawings and 3D CAD models

120 mm x 260 mm x 86 mm ISB 22324 spherical roller bearings

Bearing No. 22324

Size	120x260x86 mm
Bore Diameter	120 mm
Outer Diameter	260 mm
Width	86 mm
d	120 mm
D	260 mm
B	86 mm
C	86 mm
K	7,5 mm
Weight	23 Kg
Basic dynamic load rating (C)	946 kN
Basic static load rating (C0)	1098 kN
(Grease) Lubrication Speed	1989 r/min