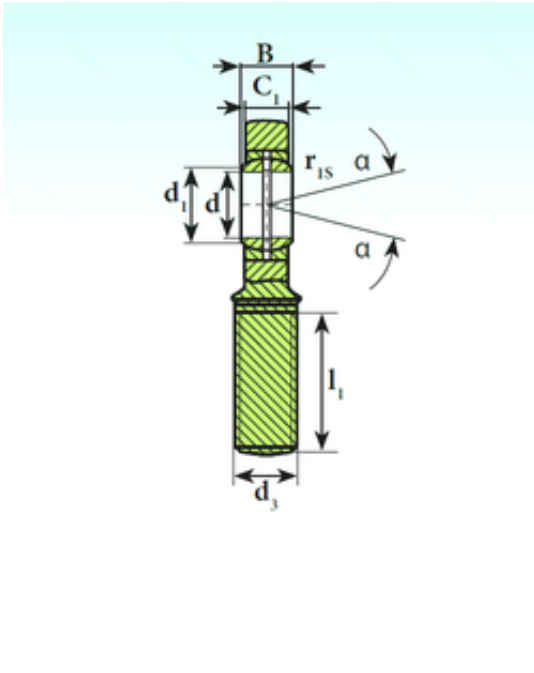




# AMERICAN Timken BEARING MFG.CORP.



SA 50 ES Bearing 2D drawings and 3D CAD models

50 mm x 75 mm x 35 mm ISB SA 50 ES plain bearings

Bearing No. SA 50 ES

Size	50x75x35 mm
Bore Diameter	50 mm
Outer Diameter	75 mm
Width	35 mm
d	50 mm
D	75 mm
B	35 mm
d1	56 mm
d2	112 mm
dk	66 mm
h1	185 mm
l1 min.	106 mm
l2 max.	241 mm
l7 min.	60 mm
r min.	0,6 mm
C1	30 mm
W	M45x3
Angle	6 °
Weight	3,4 Kg
Basic dynamic load rating (C)	156 kN