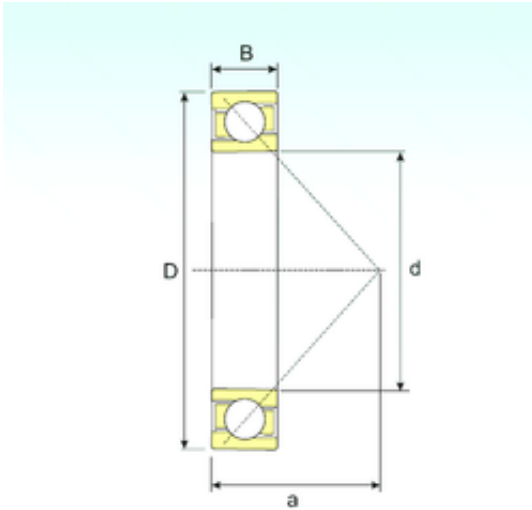




AMERICAN Timken BEARING MFG.CORP.



60 mm x 130 mm x 31 mm ISB 7312 B angular contact ball bearings

Bearing No. 7312 B

Size	60x130x31 mm
Bore Diameter	60 mm
Outer Diameter	130 mm
Width	31 mm
d	60 mm
D	130 mm
B	31 mm
C	31 mm
a	55 mm
Weight	1,75 Kg
Basic dynamic load rating (C)	93,69 kN
Basic static load rating (C0)	68,11 kN
(Grease) Lubrication Speed	4590 r/min

7312 B Bearing 2D drawings and 3D CAD models