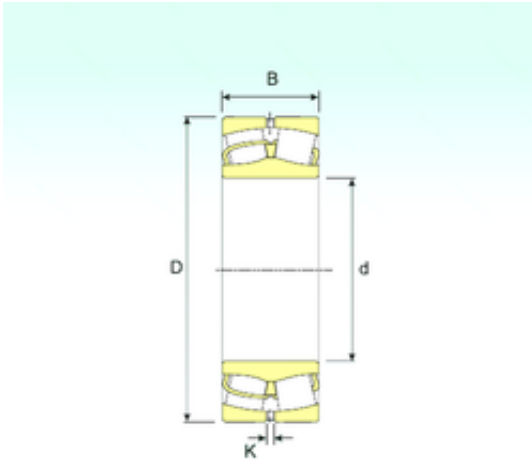




AMERICAN Timken BEARING MFG.CORP.



530 mm x 780 mm x 250 mm ISB 240/530
spherical roller bearings

Bearing No. 240/530

Size	530x780x250 mm
Bore Diameter	530 mm
Outer Diameter	780 mm
Width	250 mm
d	530 mm
D	780 mm
B	250 mm
C	250 mm
K	12 mm
Weight	410 Kg
Basic dynamic load rating (C)	6566 kN
Basic static load rating (C0)	12936 kN
(Grease) Lubrication Speed	512,55 r/min

240/530 Bearing 2D drawings and 3D CAD models