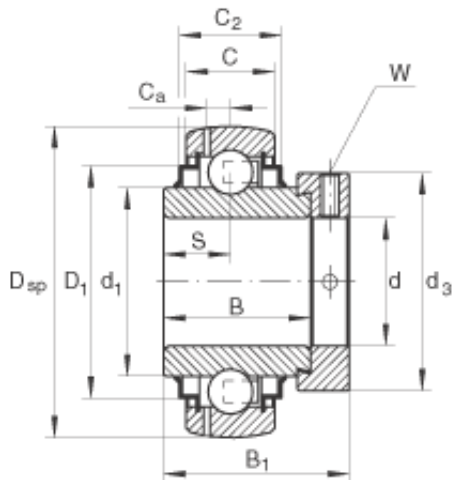




# AMERICAN Timken BEARING MFG.CORP.



## INA GE60-KRR-B-FA101 deep groove ball bearings

Bearing No. GE60-KRR-B-FA101

Size	60x110x77.9 mm
Bore Diameter	60 mm
Outer Diameter	110 mm
Width	77,9 mm
d	60 mm
D <sub>SP</sub>	110 mm
B <sub>1</sub>	77,9 mm
B	61,9 mm
C	24 mm
C <sub>2</sub>	29 mm
C <sub>a</sub>	7,2 mm
D <sub>1</sub>	94,5 mm
d <sub>1</sub>	76,5 mm
d <sub>3 max</sub>	84 mm
S	31 mm
W	5 mm
m	1,8 kg / Weight
C <sub>r</sub>	52000 N / Dynamic load rating (radial)
C <sub>0r</sub>	36000 N / Static load rating (radial)

GE60-KRR-B-FA101 Bearing 2D drawings and 3D CAD models