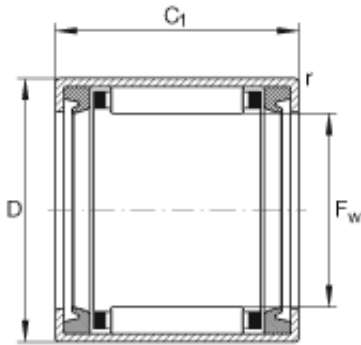




AMERICAN Timken BEARING MFG. CORP.



INA HK1520-2RS needle roller bearings

Bearing No. HK1520-2RS

HK1520-2RS Bearing 2D drawings and 3D CAD models

Size	15x21x20 mm
Bore Diameter	15 mm
Outer Diameter	21 mm
Width	20 mm
F_w	15 mm
D	21 mm
C_1 - 20 mm / Tolerance: -0,3	20 mm / Tolerance: 0,3
r_{min}	0,8 mm
m	18 g / Weight
C_r	10500 N / Dynamic load rating (radial)
C_{0r}	14400 N / Static load rating (radial)
C_{ur}	1780 N / Fatigue limit load, radial
$n_{G\text{ Fett}}$	11000 1/min / Limiting speed for grease lubrication
Category	Needle Non Thrust Roller Bearings
Inventory	0.0
Manufacturer Name	SCHAEFFLER GROUP
Minimum Buy Quantity	N/A
Weight / Kilogram	0
EAN	4012802043037
Product Group	B04144
Rolling Element	Needle Roller Bearing
Component	Roller Assembly with Outer



AMERICAN Timken BEARING MFG.CORP.

	Ring - No Inner Ring
Enclosure	2 Seals
Self Aligning	No
Retainer	Yes
Number of Rows of Rollers	Single Row
Separable	No
Closed End	No
Inch - Metric	Metric
Relubricatable	No
Thrust Bearing	No
Long Description	15MM Bore; 21MM Outside Diameter; 20MM Width; Needle Roller Bearing; Roller Assembly with Outer Ring - No Inner Ring; 2 Seals; Not Self Aligning; Retainer; Single Row of Rollers; Not Separable; Not CI
Other Features	2 Rib Outer Ring Drawn Cup Bearing Steel Cage
Category	Needle Non Thrust Roller Bearing
UNSPSC	31171512
Harmonized Tariff Code	8482.99.65.30
Noun	Roller Assembly with Outer Ring
Keyword String	Bearing Needle
Manufacturer URL	http://www.ina.com
Manufacturer Item Number	HK15202RS
Weight / LBS	0.04
Width	0.787 Inch 20 Millimeter
Bore	0.591 Inch 15 Millimeter
Outside Diameter	0.827 Inch 21 Millimeter