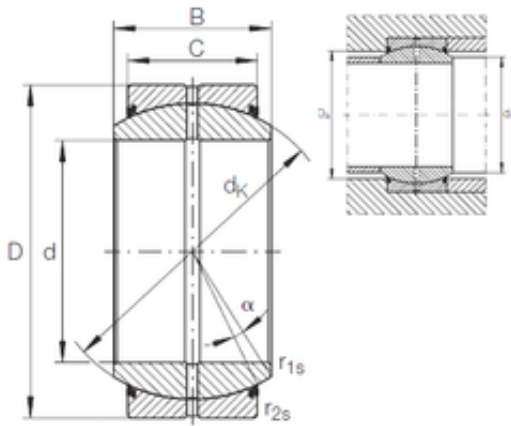




# AMERICAN Timken BEARING MFG.CORP.

## 240 mm x 340 mm x 140 mm INA GE 240 DO-2RS plain bearings

Bearing No. GE 240 DO-2RS



GE 240 DO-2RS Bearing 2D drawings and 3D CAD models

Size	240x340x140 mm
Bore Diameter	240 mm
Outer Diameter	340 mm
Width	140 mm
d	240 mm
D	340 mm
B	140 mm
C	100 mm
dk	300 mm
r1 min.	1,1 mm
r2 min.	1,1 mm
da max	265,3 mm
Da min	295 mm
Angle	8 °
Weight	39,4 Kg
Basic dynamic load rating (C)	2550 kN