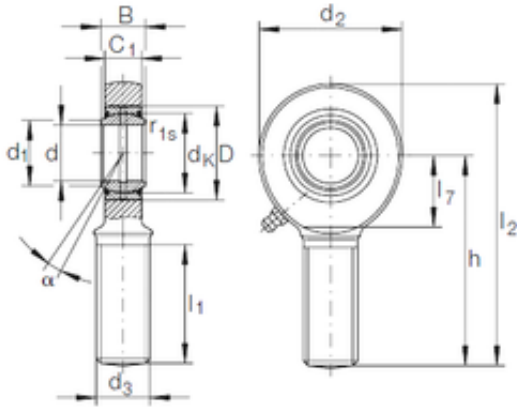




AMERICAN Timken BEARING MFG.CORP.

20 mm x 35 mm x 16 mm INA GAR 20 DO plain bearings



Bearing No. GAR 20 DO

| | |
|-------------------------------|-------------|
| Size | 20x35x16 mm |
| Bore Diameter | 20 mm |
| Outer Diameter | 35 mm |
| Width | 16 mm |
| d | 20 mm |
| D | 35 mm |
| B | 16 mm |
| d1 | 24,1 mm |
| d2 | 53 mm |
| dk | 29 mm |
| h | 78 mm |
| l1 min. | 43 mm |
| l2 max. | 104,5 mm |
| l7 min. | 27 mm |
| r1 min. | 0,3 mm |
| C1 | 13 mm |
| Thread (G) | M20X1,5 |
| Angle | 9 ° |
| Weight | 0,31 Kg |
| Basic dynamic load rating (C) | 30 kN |

GAR 20 DO Bearing 2D drawings and 3D CAD models