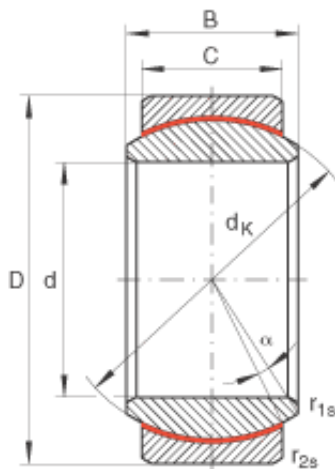




AMERICAN Timken BEARING MFG.CORP.



INA GE17-UK plain bearings

Bearing No. GE17-UK

Size	17x30x14 mm
Bore Diameter	17 mm
Outer Diameter	30 mm
Width	14 mm
C	10 mm
D _{a min}	24 mm
d _{a max}	20,7 mm
d _K	25 mm
r _{1s min}	0,3 mm
r _{2s min}	0,3 mm
alf (°)	10
Weight (kg)	0,037
C _r (N)	22500
C _{0r} (N)	56300
Category	Spherical Plain Bearings - Radial
Inventory	0.0
Manufacturer Name	SCHAEFFLER GROUP
Minimum Buy Quantity	N/A
Weight / Kilogram	0.049
EAN	4012802531534
Product Group	B04264
Self Aligning	Yes
Rolling Element	Spherical Plain
Material - Outer Member	Steel
Material - Ball	Steel

GE17-UK Bearing 2D drawings and 3D CAD models



AMERICAN Timken BEARING MFG.CORP.

Material - Liner	Teflon
Relubricatable	No
Enclosure	Open
Other Features	2 Piece Axially Split Outer Ring
Long Description	17MM Bore; 10MM Housing Width; 30MM Outside Diameter; Spherical Plain; Steel Outer Member; Steel Ball; Teflon Liner; 14MM Overall Width; Not Relubricatable
Inch - Metric	Metric
Category	Plain Bearings Spherical Radial
UNSPSC	31171515
Harmonized Tariff Code	8483.30.80.70
Noun	Bearing
Keyword 3	Spherical
Keyword String	Plain Spherical Radial
Manufacturer URL	http://www.ina.com
Manufacturer Item Number	GE17UK
Weight / LBS	0.084
Overall Width	0.551 Inch 14 Millimeter
Outside Diameter	1.181 Inch 30 Millimeter
Bore	0.669 Inch 17 Millimeter
Housing Width	0.394 Inch 10 Millimeter