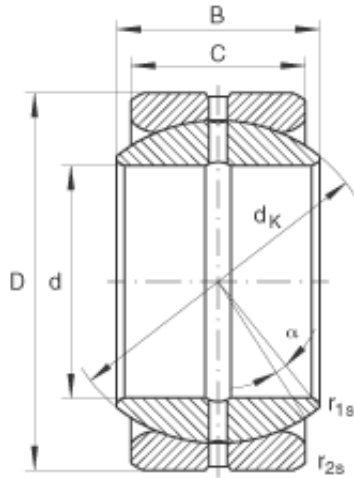




# AMERICAN Timken BEARING MFG.CORP.



GE57-ZO Bearing 2D drawings and 3D CAD models

## INA GE57-ZO plain bearings

Bearing No. GE57-ZO

|                         |                                   |
|-------------------------|-----------------------------------|
| Size                    | 57.15x90.488x50.013 mm            |
| Bore Diameter           | 57,15 mm                          |
| Outer Diameter          | 90,488 mm                         |
| Width                   | 50,013 mm                         |
| C                       | 42,85 mm                          |
| D <sub>a min</sub>      | 73 mm                             |
| d <sub>a max</sub>      | 64,9 mm                           |
| d <sub>K</sub>          | 82 mm                             |
| r <sub>1s min</sub>     | 0,6 mm                            |
| r <sub>2s min</sub>     | 1 mm                              |
| alf ( ° )               | 6                                 |
| Weight (kg)             | 1,6                               |
| C <sub>r</sub> (N)      | 281000                            |
| C <sub>0r</sub> (N)     | 844000                            |
| Category                | Spherical Plain Bearings - Radial |
| Inventory               | 0.0                               |
| Manufacturer Name       | SCHAEFFLER GROUP                  |
| Minimum Buy Quantity    | N/A                               |
| Weight / Kilogram       | 1.324                             |
| Product Group           | B04264                            |
| Self Aligning           | Yes                               |
| Rolling Element         | Spherical Plain                   |
| Material - Outer Member | Steel                             |
| Material - Ball         | Steel                             |
| Material - Liner        | Not Applicable                    |



## AMERICAN Timken BEARING MFG.CORP.

|                          |   |
|--------------------------|---|
| Relubricatable           | Yes   |
| Enclosure                | Open  |
| Other Features           | 2 Piece   Single Axial Split in Outer Ring  |
| Long Description         | 2-1/4" Bore; 1-11/16" Housing Width; 3-9/16" Outside Diameter; Steel Outer Member; Steel Ball; No Liner; 1-31/32" Overall Width; Relubricatable |
| Inch - Metric            | Inch  |
| Category                 | Plain Bearings Spherical Radial   |
| UNSPSC                   | 31171515  |
| Harmonized Tariff Code   | 8483.30.80.70   |
| Noun                     | Bearing   |
| Keyword 3                | Spherical   |
| Keyword String           | Plain Spherical Radial  |
| Manufacturer URL         | <a href="http://www.ina.com">http://www.ina.com</a>   |
| Manufacturer Item Number | GE57ZOHLG   |
| Weight / LBS             | 2.92  |
| Outside Diameter         | 3.563 Inch   90.5 Millimeter  |
| Housing Width            | 1.688 Inch   42.875 Millimeter  |
| Overall Width            | 1.969 Inch   50.013 Millimeter  |
| Bore                     | 2.25 Inch   57.15 Millimeter  |