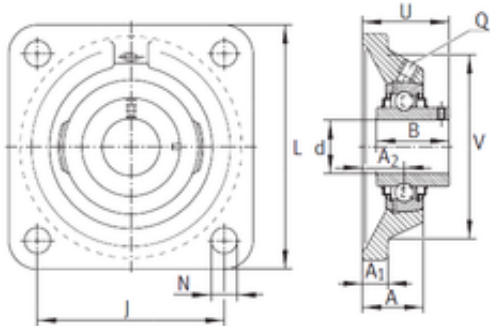




AMERICAN Timken BEARING MFG.CORP.

INA RCJY65-214 bearing units



Bearing No. RCJY65-214

Bore Diameter	65 mm
d	65 mm
V	165 mm
U	82,4 mm
Thread (Q)	Rp1/8
A	52 mm
A1	18 mm
B	74,6 mm
J	150 mm
L	188 mm
N	18 mm
A2	38 mm
Weight	5,65 Kg
Basic dynamic load rating (C)	62 kN
Category	Flange Block Bearings
Inventory	0.0
Manufacturer Name	SCHAEFFLER GROUP
Minimum Buy Quantity	N/A
Weight / Kilogram	7.317
EAN	4012802802405
Product Group	M06110
Number of Mounting Holes	4
Mounting Method	Set Screw
Housing Style	4 Bolt Square Flange Block
Rolling Element	Ball Bearing
Housing Material	Cast Iron

RCJY65-214 Bearing 2D drawings and 3D CAD models



AMERICAN Timken BEARING MFG.CORP.

Expansion / Non-expansion	Non-expansion
Mounting Bolts	18 Millimeter
Relubricatable	Yes
Insert Part Number	GYE65KRRB
Seals	Double Land Riding Rubber Contact
Housing Configuration	1 Piece Solid
Pilot Configuration	No Pilot
Inch - Metric	Metric
Long Description	4 Bolt Square Flange Block; 65MM Bore; 211MM Bolt Circle; 150MM Bolt Spacing; 1 Piece Solid; Set Screw Mount; Cast Iron; Ball Bearing; 74.6MM Length Thru Bore; Relubricatable; Double Land Riding Rubbe
Other Features	Single Row Radial Metric With Grub Screw
Category	Flange Block
UNSPSC	31171501
Harmonized Tariff Code	8483.20.40.40
Noun	Bearing
Keyword String	Flanged
Manufacturer URL	http://www.ina.com
Manufacturer Item Number	RCJY65
Weight / LBS	12.458
Cartridge Pilot Diameter	0 Inch 0 Millimeter
Nominal Bolt Circle Diameter Round	8.3 Inch 211 Millimeter
Bore	2.559 Inch 65 Millimeter
Bolt Spacing	5.906 Inch 150 Millimeter
Length Thru Bore	2.937 Inch 74.6 Millimeter