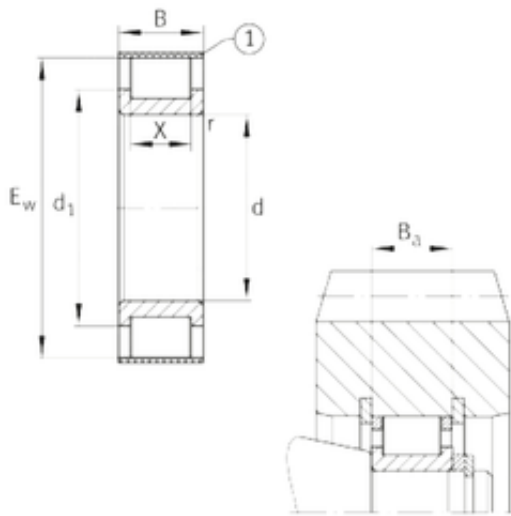




AMERICAN Timken BEARING MFG. CORP.



INA RSL182236-A cylindrical roller bearings

Bearing No. RSL182236-A

| | |
|-------------------------------|------------------|
| Size | 180x293.22x86 mm |
| Bore Diameter | 180 mm |
| Outer Diameter | 293,22 mm |
| Width | 86 mm |
| d | 180 mm |
| Ew | 293,22 mm |
| B | 86 mm |
| Ba | 80,4 mm |
| X | 62 mm |
| d1 | 232,4 mm |
| r min. | 4 mm |
| Weight | 20,7 Kg |
| Basic dynamic load rating (C) | 36,545 kN |

RSL182236-A Bearing 2D drawings and 3D CAD models