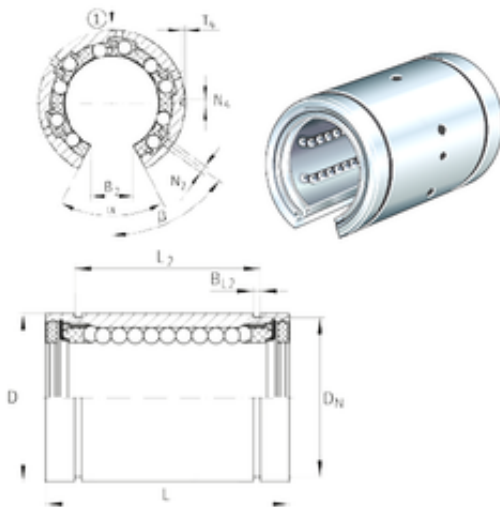




AMERICAN Timken BEARING MFG.CORP.

INA KBO50 linear bearings

Bearing No. KBO50



KBO50 Bearing 2D drawings and 3D CAD models

Bore Diameter	50 mm
Outer Diameter	75 mm
Fw	50 mm
D	75 mm
Dn	72 mm
L2	77,3 mm
B2	22,7 mm
N2	4 mm
L	100 mm
BL2	2,65 mm
T4	1,5 mm
N4	3 mm
Weight	0,85 Kg
Basic dynamic load rating (C)	8,9 kN