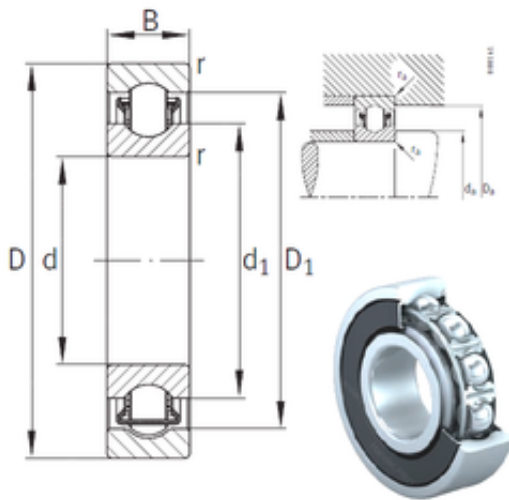




## AMERICAN Timken BEARING MFG.CORP.



40 mm x 68 mm x 15 mm INA BXRE008-2HRS  
needle roller bearings

Bearing No. BXRE008-2HRS

Size	40x68x15 mm
Bore Diameter	40 mm
Outer Diameter	68 mm
Width	15 mm
d	40 mm
D	68 mm
B	15 mm
C	15 mm
d1	49,6 mm
r min.	1 mm
D1	59,7 mm
da min.	44,6 mm
Da max.	63,4 mm
ra max.	1 mm
Weight	0,202 Kg
Basic dynamic load rating (C)	29,5 kN
Basic static load rating (C0)	24,3 kN
Fatigue load limit (Pu)	1 230

BXRE008-2HRS Bearing 2D drawings and 3D CAD models