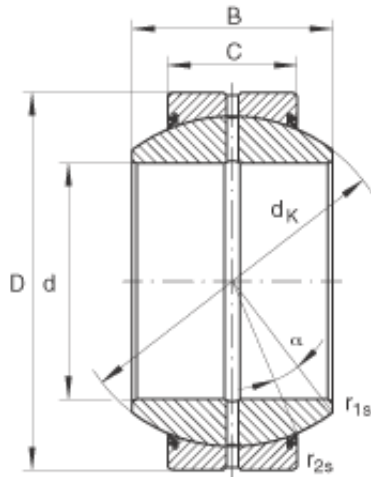




# AMERICAN Timken BEARING MFG.CORP.



## INA GE100-FO-2RS plain bearings

Bearing No. GE100-FO-2RS

GE100-FO-2RS Bearing 2D drawings and 3D CAD models

Size	100x160x85 mm
Bore Diameter	100 mm
Outer Diameter	160 mm
Width	85 mm
C	55 mm
D <sub>a min</sub>	134 mm
d <sub>a max</sub>	111,2 mm
d <sub>K</sub>	140 mm
r <sub>1s min</sub>	1 mm
r <sub>2s min</sub>	1 mm
alf ( ° )	14
Weight (kg)	5,9
C <sub>r</sub> (N)	655000
C <sub>0r</sub> (N)	3280000
Category	Spherical Plain Bearings - Radial
Inventory	0.0
Manufacturer Name	SCHAEFFLER GROUP
Minimum Buy Quantity	N/A
Weight / Kilogram	7.143
EAN	4012802128673
Product Group	B04264
Self Aligning	Yes
Rolling Element	Spherical Plain
Material - Outer Member	Steel
Material - Ball	Steel



## AMERICAN Timken BEARING MFG.CORP.

Material - Liner	Not Applicable
Relubricatable	Yes
Enclosure	2 Seals
Other Features	2 Piece   Single Axial Split in Outer Ring   Wide Inner Ring with Increased Tilting Angle
Long Description	100MM Bore; 55MM Housing Width; 160MM Outside Diameter; Spherical Plain; Steel Outer Member; Steel Ball; No Liner; 85MM Overall Width; Relubricatable
Inch - Metric	Metric
Category	Plain Bearings Spherical Radial
UNSPSC	31171515
Harmonized Tariff Code	8483.30.80.70
Noun	Bearing
Keyword 3	Spherical
Keyword String	Plain Spherical Radial
Manufacturer URL	<a href="http://www.ina.com">http://www.ina.com</a>
Manufacturer Item Number	GE100FO2RS
Weight / LBS	13.01
Outside Diameter	6.299 Inch   160 Millimeter
Housing Width	2.165 Inch   55 Millimeter
Bore	3.937 Inch   100 Millimeter
Overall Width	3.346 Inch   85 Millimeter