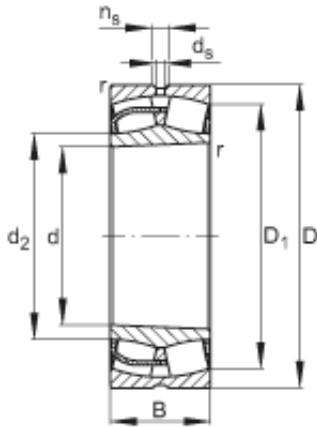




AMERICAN Timken BEARING MFG.CORP.



260 mm x 440 mm x 180 mm FAG
24152-E1-K30 spherical roller bearings

Bearing No. 24152-E1-K30

24152-E1-K30 Bearing 2D drawings and 3D CAD models

| | |
|--------------------|--|
| Size | 260x440x180 mm |
| Bore Diameter | 260 mm |
| Outer Diameter | 440 mm |
| Width | 180 mm |
| d | 260 mm |
| D | 440 mm |
| B | 180 mm |
| D ₁ | 370,6 mm |
| D _{a max} | 423 mm |
| d ₂ | 292,2 mm |
| d _{a min} | 277 mm |
| d _s | 8 mm |
| n _s | 15 mm |
| r _{a max} | 3 mm |
| r _{min} | 4 mm |
| m | 108 kg / Weight |
| C _r | 3150000 N / Dynamic load rating (radial) |
| e | 0,4 |
| Y ₁ | 1,67 |
| Y ₂ | 2,49 |
| C _{0r} | 4900000 N / Static load rating (radial) |
| Y ₀ | 1,63 |
| | |



AMERICAN Timken BEARING MFG.CORP.

| | |
|----------|--|
| n_G | 1290 1/min / Limiting speed |
| n_B | 570 1/min |
| C_{ur} | 390000 N / Fatigue limit load, radial |