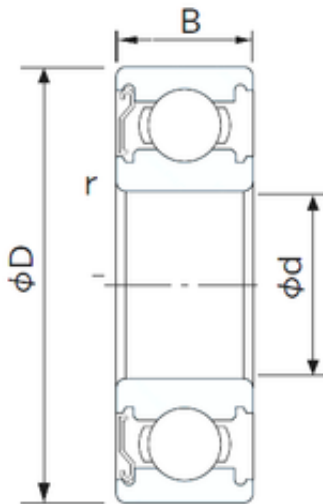




AMERICAN Timken BEARING MFG.CORP.



19,05 mm x 50,8 mm x 14,288 mm CYSD
1638-Z deep groove ball bearings

Bearing No. 1638-Z

Size	19.05x50.8x14.288 mm
Bore Diameter	19,05 mm
Outer Diameter	50,8 mm
Width	14,288 mm
d	19,05 mm
D	50,8 mm
B	14,288 mm
C	14,288 mm
r min.	0,6 mm
Weight	0,1421 Kg
Basic dynamic load rating (C)	12,84 kN

1638-Z Bearing 2D drawings and 3D CAD models