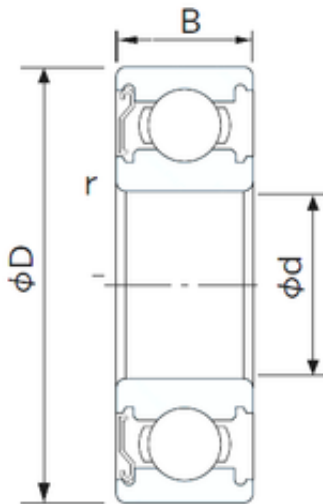




AMERICAN Timken BEARING MFG.CORP.



19,05 mm x 41,275 mm x 11,112 mm CYSD
R12-Z deep groove ball bearings

Bearing No. R12-Z

Size	19.05x41.275x11.112 mm
Bore Diameter	19,05 mm
Outer Diameter	41,275 mm
Width	11,112 mm
d	19,05 mm
D	41,275 mm
B	11,112 mm
C	11,112 mm
r min.	0,6 mm
Weight	0,0447 Kg
Basic dynamic load rating (C)	9,38 kN

R12-Z Bearing 2D drawings and 3D CAD models